

G F E D C B A Ax

7

6

5

4

3

2

1

MEZZANINE AREA
= 17.19sm
(185sf)

STORAGE
= 4.52sm
(49sf)

**COMMON
RETAIL USE**
AREA=17.50sm (188sf)
3450mm (11'-4") HEIGHT TO U/S SLAB

7'-7"
[2306]
15'-1"
[4604]

RETAIL-1
AREA=98.79sm (1063 sf)
6250mm (20'-6")
HEIGHT TO U/S SLAB
39'-4"
[12000]

RETAIL-2
AREA=80.74sm (869 sf)
6250mm (20'-6") HEIGHT
TO U/S SLAB
37'-4"
[11392]

23'-3"
[7088]

RETAIL-4
AREA=126.45m2 (1361sf)
3200mm (10'-6")
HEIGHT TO U/S SLAB

23'-9"
[7233]

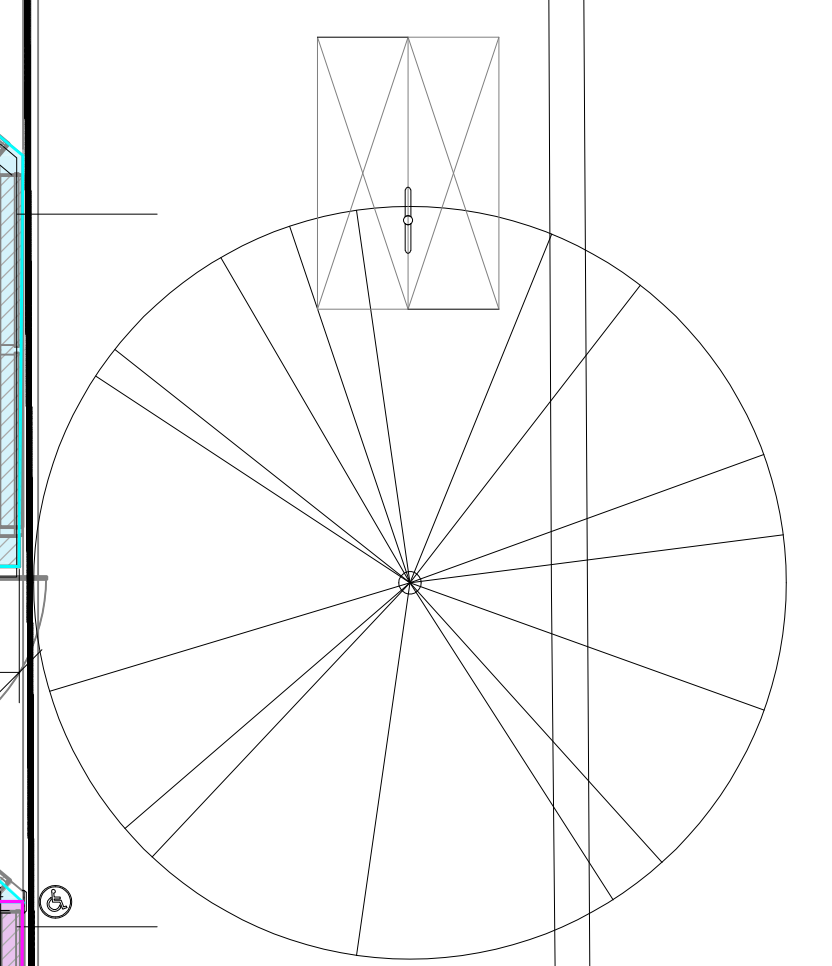
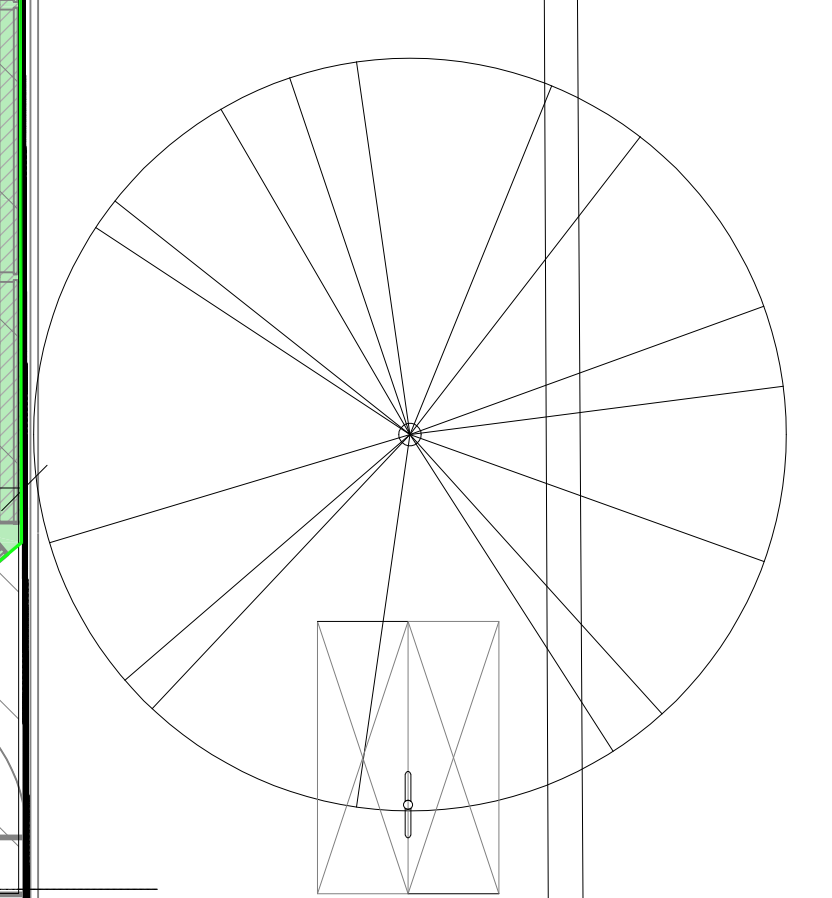
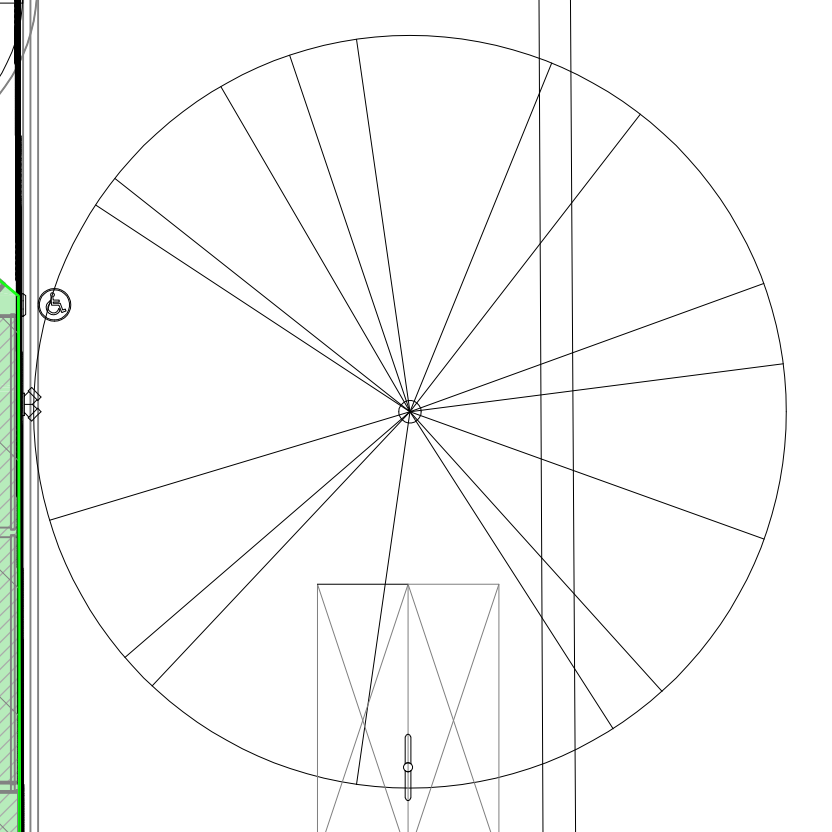
78'-3"
[23840]

RETAIL-3
AREA=111.40sm (1199 sf)
6250mm (20'-6") HEIGHT
TO U/S SLAB
37'-3"
[11363]

32'-7"
[9932]

COMMERCIAL
MECHANICAL
AREA=4.44 m2 (48 sf)

AREA FOR
POTENTIAL SLEEVING



©